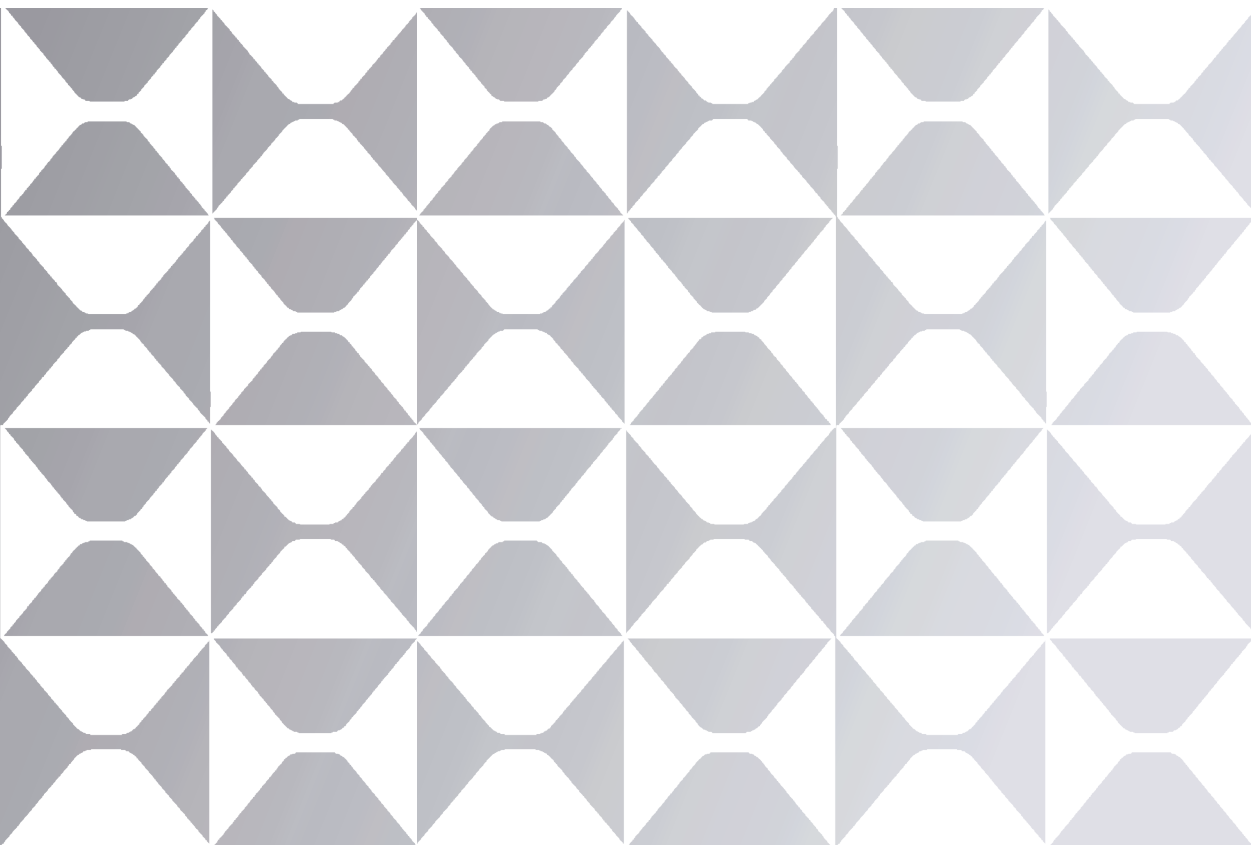
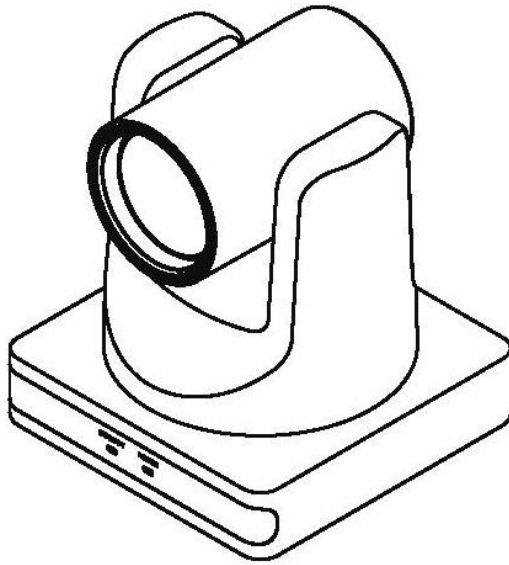


MAXHUB UC P15 Quick Start Guide





All pictures in this User Manual are for reference only, and the actual product shall prevail

◆ Instructions for Safe Use

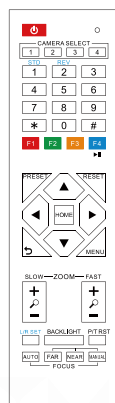
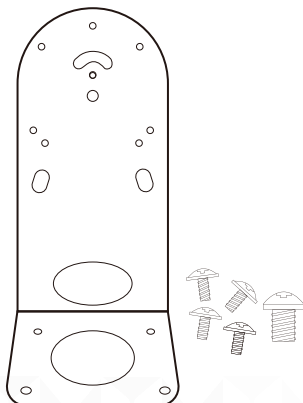
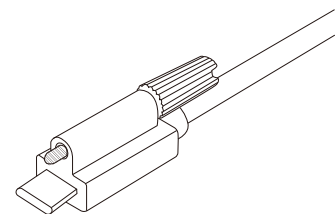
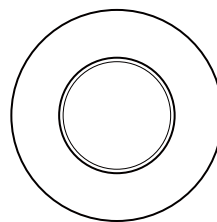
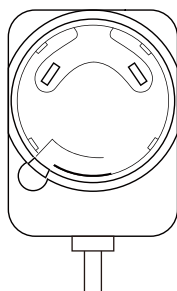
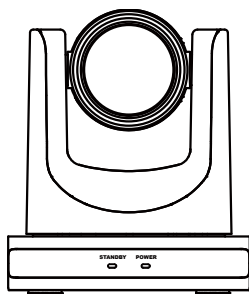
- During the installation and use of the device, all electrical safety regulations of the country and the region of use must be strictly followed.
- Please use the standard power adapter provided with this product.
- Please do not connect multiple devices to the same power adapter (exceeding the capacity of the adapter may generate excessive heat or cause a fire).
- Do not rotate the camera head by hand, otherwise it may cause mechanical failure.
- When installing this product on a wall or ceiling, please secure the device firmly. When installing, make sure that there are no obstacles within the rotation range of the PTZ; do not turn on the power until all installations are completed.
- To avoid heat accumulation, please keep the surrounding area of the device well ventilated.
- If the device emits smoke, peculiar smell, or noise, please turn off the power immediately and unplug the power cord, and contact the dealer in time.
- This device is not waterproof, please keep this device dry.
- This product has no parts that users can repair by themselves, and the damage caused by disassembly by users is not covered by the warranty.

⚠ Attention: Electromagnetic fields at certain frequencies may affect the image of this unit!

◆ Special Statement

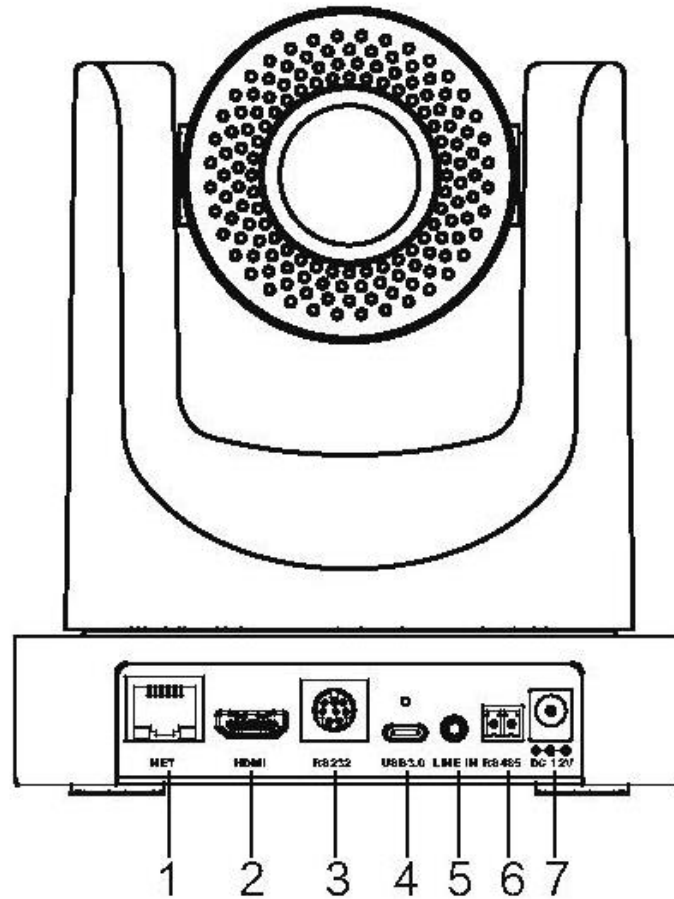
- ① Statement on intellectual property rights: The hardware design and software program of this product are protected by copyright. If you copy the content of this product and the manual without the authorization of the company, you will bear corresponding legal responsibilities.
- ② This Manual is for reference only, and the final actual function is subject to the actual function of the product ordered and received by the customer.
- ③ Array pictures are for reference only, please refer to the actual product. The company reserves the right to improve and change the appearance and design of the product without prior notice.

Name	Quantity
MAXHUB UC P15	1
Power Adapter	1
USB 3.0 Cable	1
Remote Control	1
Lens Cover	1
Quick Start Guide	1
Wall-mounted Kit	1



◆ Introduction to Appearance

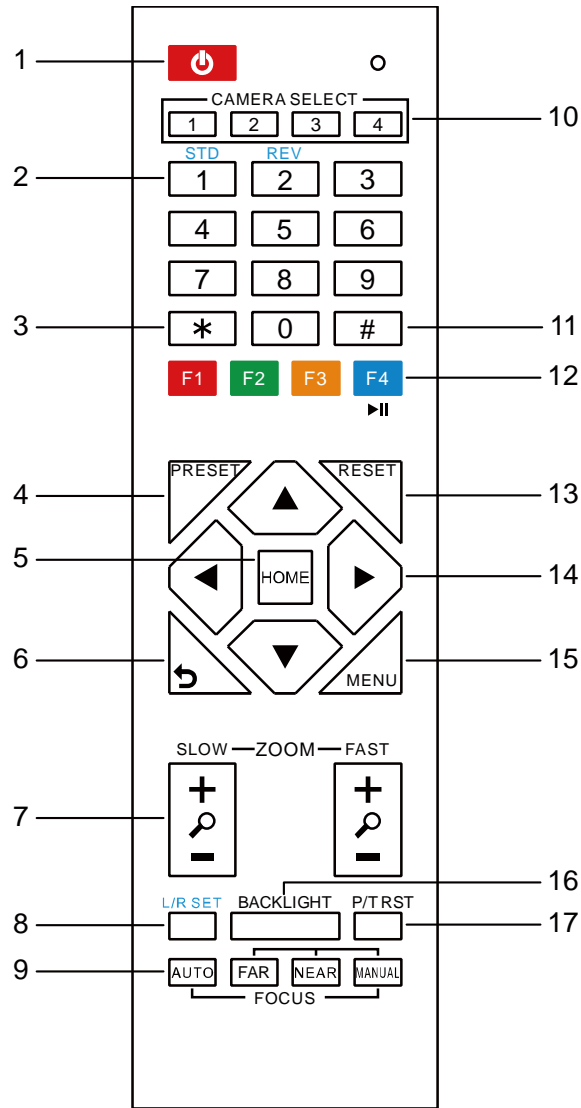
Please be familiar with the device interface and keys before use



Serial No.	Description	Serial No.	Description
1	Network interface	5	LINE IN interface
2	HDMI interface	6	RS485 interface
3	RS232 interface	7	DC 12V power interface
4	USB 3.0 interface	-	-

◆ Remote Control

Please be familiar with the instructions of remote control keys before use



No.	Function key	Description
1	Standby key	The camera enters standby mode after pressing this key
2	Numeric key	Set a presetting bit or call a presetting bit
3	*key	Use with other keys
4	Presetting bit setting key	Presetting bit setting: preset setting + numeric key(0-9)
5	HOME key	PTZ returns to the middle position after validating the selected menu or pressing this key
6	Return key	OSD menu returns to the previous level after pressing this key

7	Zoom key	Slowly or quickly zoom out the lens to wide /narrow angle
8	Left and right settings key	Simultaneously press the left and right settings key + 1 (standard horizontal direction) Simultaneously press the left and right settings key + 2 (reverse horizontal direction)
9	Focus key	Focus switching: automatic/manual/distal/proximal focus
10	Camera selection key	Select the camera to be controlled
11	#key	Use with other keys
12	Infrared address key	[*+##+F1/F2/F3/F4]: 1/2/3/4# address
13	Presetting bit clearing key	Presetting bit clearing (presetting bit clearing + corresponding presetting bit numeric key)
14	PTZ control key	PTZ moves in the direction indicated by the arrow after pressing this key
6	Menu key	Press to enter or exit the OSD menu
16	Backlight compensation key	Turn on/off backlight compensation (cyclic action)
17	PTZ reset key	PTZ starts self-test after pressing this key

◆ Software Upgrade

Visit [HTTP://www.maxhub.com](http://www.maxhub.com) to download MAXHUB Align software, the UC device management software to update and manage your device

◆ FAQ Handling

★ Image aspect

• The display shows no images

- ① Check whether the power supply of the camera is properly connected, whether the voltage is normal, and whether the power indicator is always on.
- ② Turn on the power switch, and check whether the camera can self-test normally.
- ③ Check whether the cables of the video platform and TV are connected correctly.

• Images are sometimes absent

- ① Check whether the cables of the video platform and TV are connected correctly.

- The video image displayed by the camera lens has jitter
 - ① Check whether the installation position of the camera is secure.
 - ② Check for any vibrating machinery or objects near the camera.

- No video images are displayed in the browser
 - ① IE browser does not support H5, you need to use the VLC plug-in to view the video. Please visit the VLC official website (<http://www.videolan.org/vlc/>) to download and install the 32-bit VLC media player playback software. After the installation is complete, the camera video image will be displayed normally. Other mainstream browsers already support H5, and there is no need to install the VLC plug-in.

- Unable to access the camera through the browser
 - ① Use a PC to access the network to test whether the network access can work normally. First eliminate cable faults and network faults caused by PC viruses until the PC and the camera can ping each other.
 - ② Disconnect the camera from the network, connect the camera and PC separately, and reset the IP address as needed.
 - ③ Check whether the IP address, subnet mask and gateway settings of the camera are normal.
 - ④ Check for MAC address conflicts.
 - ⑤ Check whether the Web port has been modified, the default is 80.

- Forgot IP address or web login password
 - ① Default IP address: 192.168.100.88; default user name: admin; default password: admin.

- ★ Control aspect
 - The remote control cannot be controlled
 - ① Check and replace the batteries of the remote control with new ones.
 - ② Check whether the camera is in normal operating mode.
 - ③ Check whether the address key of the remote control matches the camera.

 - The serial port cannot be controlled
 - ① Check whether the protocol, address and baud rate of the camera are consistent.
 - ② Check whether the camera control cable is well connected.

